



Stainless Steel Pumps

Model 2CDX Twin Impeller Pumps



Stainless steel twin impeller centrifugal pumps. Featuring the one piece volute manufactured using Ebara's unique plasma stamping process.

Specifications

- Maximum working pressure : 8 bar
- Maximum liquid temperature: 60°C

Materials

- Pump casing: 304 Stainless Steel
- Impeller: 304 Stainless Steel
- Casing Cover: 304 Stainless Steel
- Diffuser: 304 Stainless Steel
- Shaft : 304 Stainless Steel
- Bracket: Aluminium (upto 1.5 Kw) Cast Iron (2.2 Kw & above)
- Motor Frame: Aluminium
- Mechanical seal: Carbon/Ceramic/NBR

Motor Data

- TEFC, 2 pole motor
- Insulation class F
- IP55 protection
- 50 Hz, 3 phase - 415 Volt, 1 phase - 240 Volt
- In built overload protection for 1 phase

Range

- 0.75 to 1.5 kW - 1 phase
- 0.75 to 4.0 kW - 3 phase

Supply

- 1.5 m cable & plug with 1 phase models
- Optional high temperature seal available (110°C)
- Optional hard faced seal available

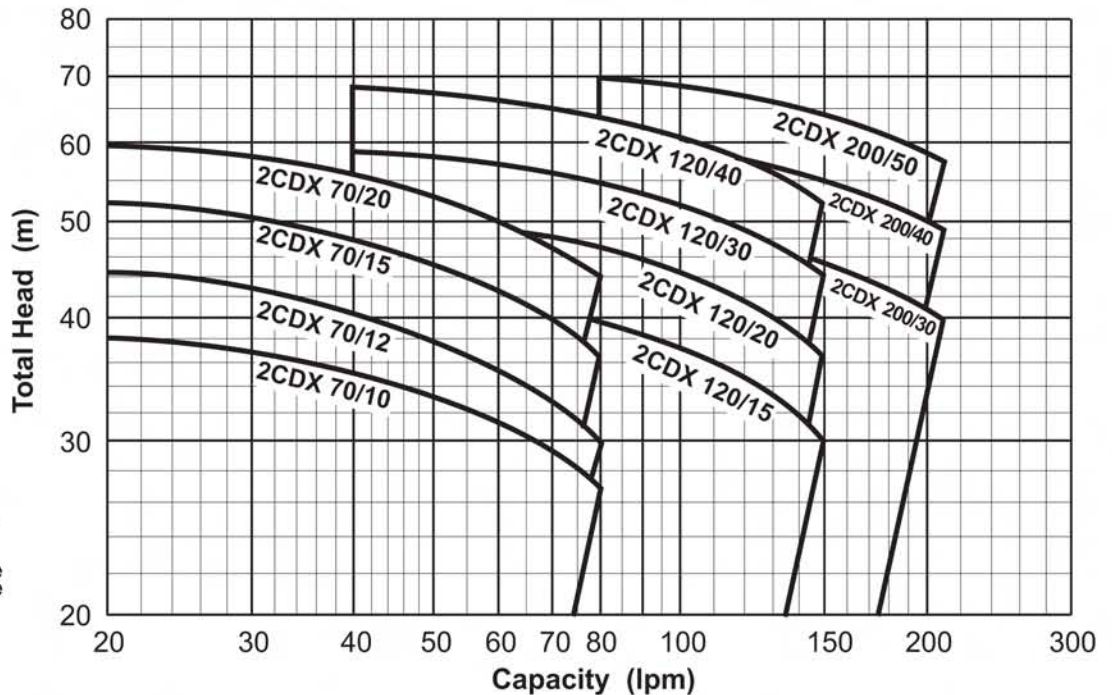
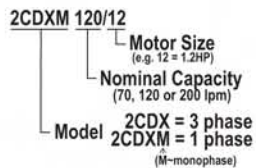
Performance Curve

Synchronous Speed: 3000 r.p.m.

Water temp: 20°C

Applicable standard of test : ISO 2458 Class C

Model Code



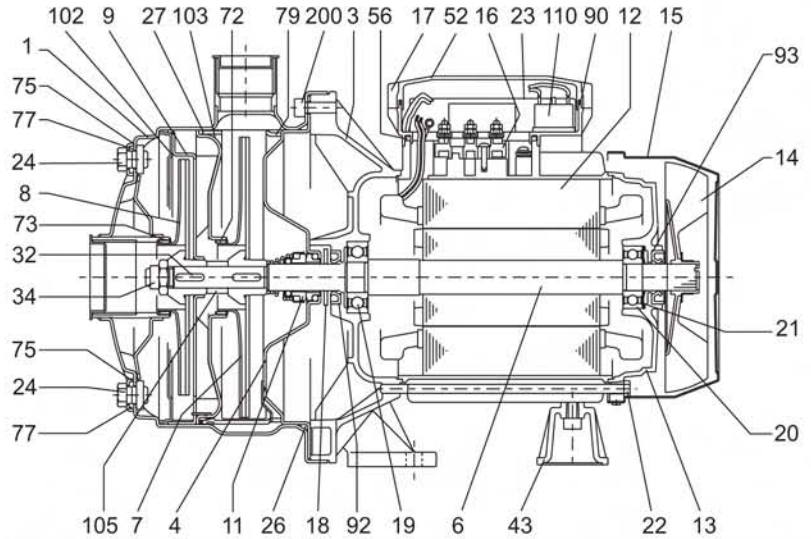
Performance Table

| Pump Model | Motor Output | Discharge/Suction Ø mm | Full Load Current | | Capacitor (1Phase models only) | Q= Capacity - litres/min | | | | | | | | |
|---------------------|--------------|------------------------|---------------------|---------------------|--------------------------------|--------------------------|------|------|---------------------------|------|------|------|------|--|
| | | | 1 Phase 240 V, 1ph. | 3 Phase 415 V, 3ph. | | 20 | 40 | 60 | H=Total Head - metres (m) | | | | | |
| 2CDXM / 2CDX 70/10 | 0.75 kW | 25 / 32 mm | 6.0 A | 2.3 A | 20 µF | 38.5 | 35.3 | 31.5 | 27 | | | | | |
| 2CDXM / 2CDX 70/12 | 0.9 kW | 25 / 32 mm | 7.0 A | 2.9 A | 31.5 µF | 44.5 | 40.3 | 35.3 | 30 | | | | | |
| 2CDXM / 2CDX 70/15 | 1.1 kW | 25 / 32 mm | 8.0 A | 3.2 A | 35 µF | 52.5 | 48 | 42.8 | 36.5 | | | | | |
| 2CDXM / 2CDX 70/20 | 1.5 kW | 25 / 32 mm | 9.9 A | 4.0 A | 40 µF | 60 | 55.6 | 50.4 | 44 | | | | | |
| 2CDXM / 2CDX 120/15 | 1.1 kW | 25 / 32 mm | 8.3 A | 3.2 A | 35 µF | | 42 | 41 | 39.5 | 35 | 30 | | | |
| 2CDXM / 2CDX 120/20 | 1.5 kW | 25 / 32 mm | 10.2 A | 4.0 A | 40 µF | | 51.5 | 49.5 | 47.4 | 41.8 | 36.5 | | | |
| 2CDX 120/30 | 2.2 kW | 25 / 32 mm | — | 5.0 A | — | | 59 | 57 | 54.6 | 49.2 | 44 | | | |
| 2CDX 120/40 | 3.0 kW | 25 / 32 mm | — | 6.2 A | — | | 68.5 | 66.5 | 64 | 58 | 52 | | | |
| 2CDX 200/30 | 2.2 kW | 25 / 40 mm | — | 6.0 A | — | | | 52 | 50.8 | 48.1 | 45.5 | 42.7 | 39.5 | |
| 2CDX 200/40 | 3.0 kW | 25 / 40 mm | — | 6.6 A | — | | | 62.5 | 61.1 | 58 | 55.2 | 52.3 | 49 | |
| 2CDX 200/50 | 4.0 kW | 25 / 40 mm | — | 8.7 A | — | | | 71.5 | 70.1 | 67 | 64.3 | 61.2 | 57.5 | |

Sectional Drawing

Model **2CDX**

| No. | PART NAME | MATERIAL | QTY |
|-----|-------------------------|---|-----|
| 1 | Casing | AISI 304 | 1 |
| 3 | Motor bracket | Aluminium (upto 1.5 kW) Cast Iron (2.2 kW & above) | 1 |
| 4 | Casing cover | AISI 304 | 1 |
| 6 | Shaft with rotor | AISI 304 (In contact with liquid) | 1 |
| 7 | Impeller | AISI 304 | 1 |
| 8 | Impeller | AISI 304 | 1 |
| 9 | Diffuser | AISI 304 | 1 |
| 11 | Mechanical seal | Ceramic/Carbon/NBR | 1 |
| 12 | Motor frame with stator | - | 1 |
| 13 | Motor cover | Aluminium | 1 |
| 14 | Fan | Polypropylene | 1 |
| 15 | Fan cover | Fe 42 | 1 |
| 16 | Terminal box | - | 1 |
| 17 | Terminal box cover [2] | Polyamide | 1 |
| 18 | Splash Ring | NBR | 1 |
| 19 | Pump side ball bearing | - | 1 |
| 20 | Fan side ball bearing | - | 1 |
| 21 | Adjusting ring | Steel C70 | 1 |
| 22 | Tie rod | Fe 42 | 4 |
| 23 | Capacitor [1] | - | 1 |
| 24 | Priming/Drain plug | AISI 303 | 2 |
| 26 | O-ring | NBR | 1 |
| 27 | O-ring | NBR | 1 |
| 32 | Key | AISI 304 | 2 |
| 34 | Impeller nut | AISI 304 | 1 |



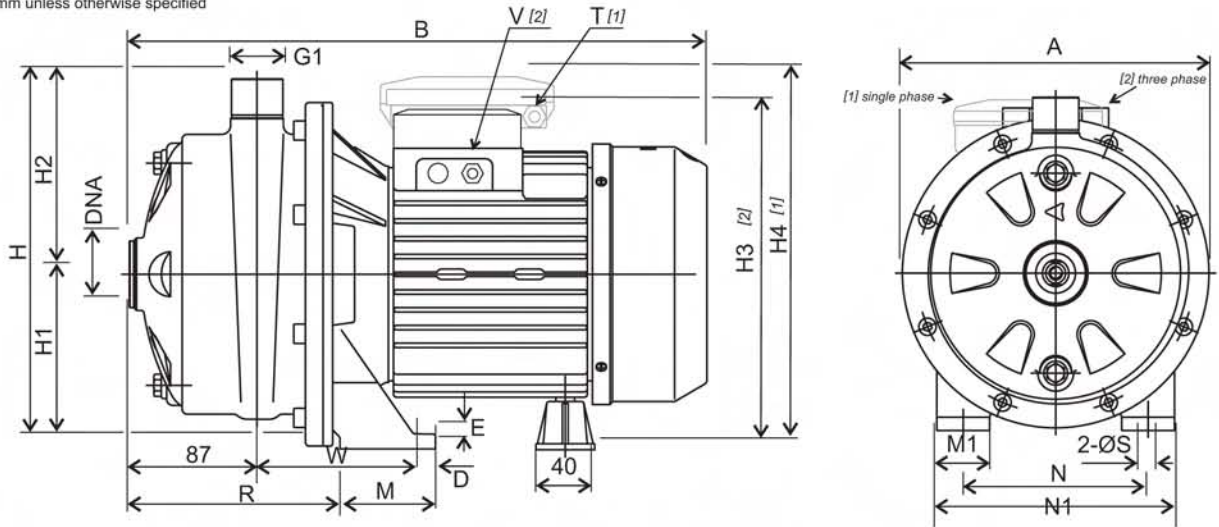
| No. | PART NAME | MATERIAL | QTY | No. | PART NAME | MATERIAL | QTY |
|-----|------------------|---------------|-----|-----|------------------|----------------------------|-----|
| 43 | Motor Support | Aluminium | 1 | 90 | Cover Gasket [1] | NBR | 1 |
| 52 | Terminal Box [1] | Polypropylene | 1 | 92 | Lip seal | - | 1 |
| 56 | Box gasket | NBR | 1 | 93 | Lip seal | - | 1 |
| 72 | Casing ring | NBR | 1 | 102 | Suction cover | AISI 304 | 1 |
| 73 | Casing ring | NBR | 1 | 103 | Conveyor cover | AISI 304 | 1 |
| 75 | Washer | AISI 304 | 2 | 105 | Sleeve | AISI 304 | 1 |
| 77 | O-ring | NBR | 2 | 110 | Protector [1] | - | 1 |
| 79 | Space diffuser | AISI 304 | 1 | 200 | Screw | Stainless steel A2 UNI7323 | 8 |

[1] Only single phase [2] Only three phase

Dimensions

Model **2CDX**

Units: mm unless otherwise specified



| Pump Model 2CDXM 2CDX | Dimensions (mm) | | | | | | | | | | | | | | | | | | |
|-----------------------------|-----------------|-----|------|----|-----|-----|-----|--------|--------|----|----|-----|-----|-----|---------|---------|-----|----|-----|
| | A | B | D | E | H | H1 | H2 | H3 [2] | H4 [1] | M | M1 | N | N1 | R | T [1] | V [2] | W | S | DNA |
| 70/10 | 208 | 355 | 12.5 | 8 | 229 | 106 | 123 | 208 | 216 | 50 | 38 | 120 | 160 | 143 | PG 11 | PG 11 | 93 | 9 | G1¼ |
| 70/12 | 208 | 355 | 12.5 | 8 | 229 | 106 | 123 | 208 | 235 | 50 | 38 | 120 | 160 | 143 | PG 11 | PG 11 | 93 | 9 | G1¼ |
| 70/15 | 232 | 383 | 12.5 | 8 | 250 | 118 | 132 | 237 | 249 | 55 | 40 | 140 | 180 | 142 | PG 13.5 | PG 11 | 95 | 9 | G1¼ |
| 70/20 | 232 | 383 | 12.5 | 8 | 250 | 118 | 132 | 237 | 249 | 55 | 40 | 140 | 180 | 142 | PG 13.5 | PG 11 | 95 | 9 | G1¼ |
| 120/15 | 208 | 383 | 12.5 | 8 | 229 | 106 | 123 | 225 | 237 | 55 | 40 | 140 | 180 | 142 | PG 13.5 | PG 11 | 95 | 9 | G1¼ |
| 120/20 | 208 | 383 | 12.5 | 8 | 229 | 106 | 123 | 225 | 237 | 55 | 40 | 140 | 180 | 142 | PG 13.5 | PG 11 | 95 | 9 | G1¼ |
| 120/30 | 232 | 397 | 12.5 | 8 | 250 | 118 | 132 | 244 | - | 65 | 40 | 140 | 180 | 144 | - | PG 13.5 | 109 | 9 | G1¼ |
| 120/40 | 232 | 422 | 12.5 | 10 | 250 | 118 | 132 | 244 | - | 65 | 40 | 140 | 180 | 144 | - | PG 13.5 | 109 | 9 | G1¼ |
| 200/30 | 208 | 419 | 12.5 | 10 | 229 | 106 | 123 | 232 | - | 65 | 40 | 140 | 180 | 144 | - | PG 13.5 | 109 | 9 | G1½ |
| 200/40 | 232 | 422 | 12.5 | 10 | 250 | 118 | 132 | 244 | - | 65 | 40 | 140 | 180 | 144 | - | PG 13.5 | 109 | 9 | G1½ |
| 200/50 | 232 | 435 | 16 | 13 | 250 | 118 | 132 | 257 | - | 68 | 50 | 160 | 210 | 144 | - | PG 16 | 109 | 12 | G1½ |

Specifications subject to change without notice



EBARA PUMPS AUSTRALIA PTY. LTD.

Data Sheet
2CDX 09-12m