



Model CMA/CMB

Single Impeller Cast Iron Pumps



Single Impeller centrifugal pumps manufactured in cast iron. Suitable for boosting or transfer of water, small scale irrigation, etc.

Specifications

- Maximum working pressure : 6 bar
- Maximum liquid temperature: 40°C (CMA), 90°C (CMB)

Materials

- Pump casing: Cast Iron
- Impeller: Noryl (CMA), Cast Iron (CMB 1.50), Brass (CMB 2.00-5.50)
- Shaft : AISI 416 (CMA), AISI 303 (CMB)
- Bracket: Aluminium (CMA, CMB 1.50), Cast Iron (CMB 2.00-5.50)
- Mechanical seal: Carbon/Ceramic/NBR

Technical Data

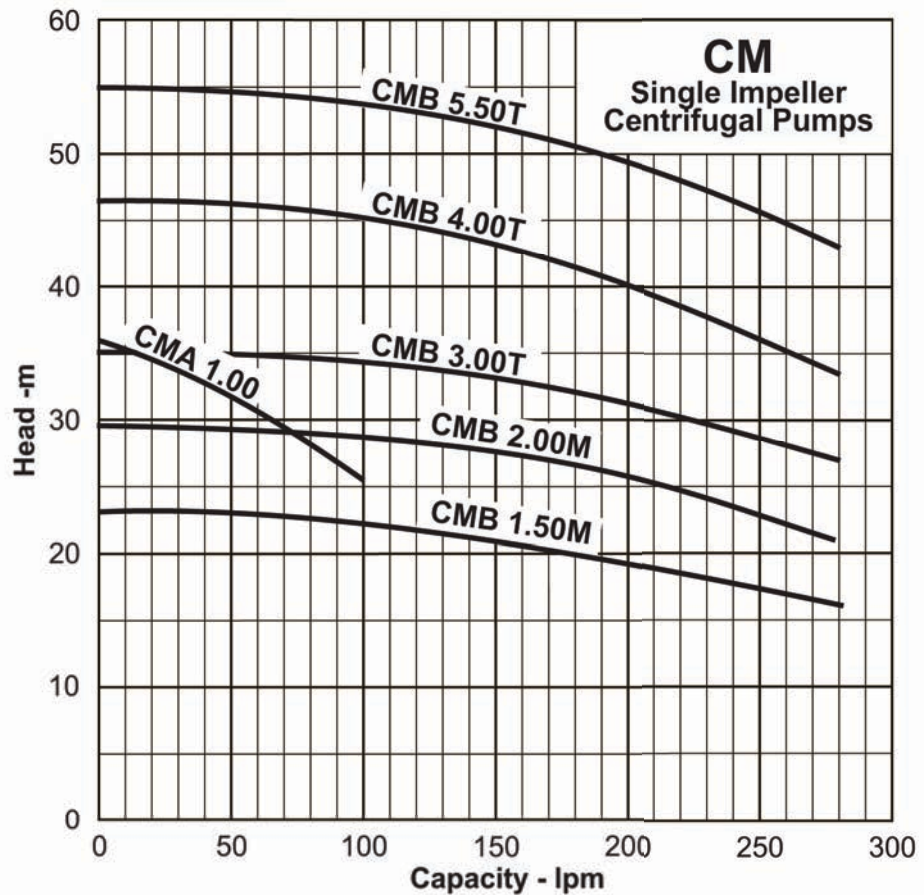
- TEFC, 2 pole motor
- Insulation class F
- IP44 protection
- Single phase ~ 230 Volt, 50 Hz, Permanent split capacitor
- Three phase ~230/400 Volt, 50 Hz (Dual Voltage)
- Automatic thermal overload protection

Performance Curve

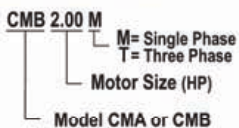
Synchronous Speed: 3000 r.p.m.

Water temp: 20°C

Applicable standard of test : ISO 2458 Class C



Model Code

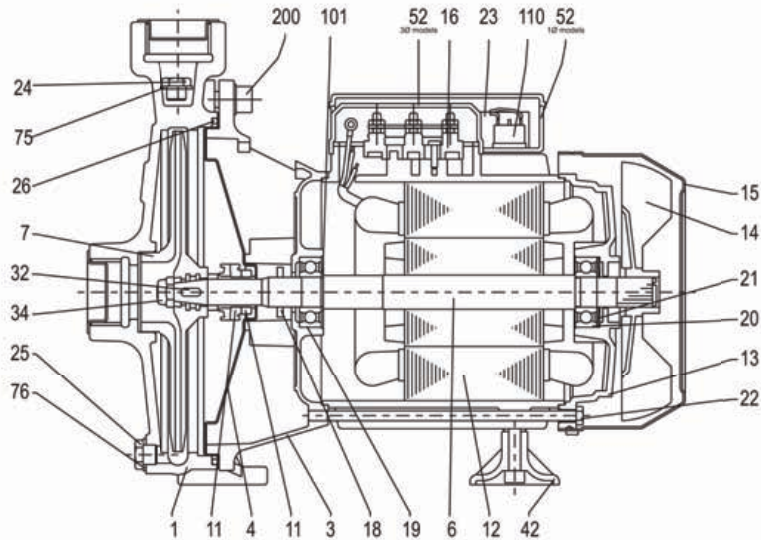


Performance Table

Pump Model	Motor Output	Power Supply	Capacitor		Full Load Current	Q= Capacity - litres/min										
			µF	Vc		20	40	60	80	100	140	180	220	250	280	
CMA 1.00 M	0.75 kW	230 V Single Phase	20 µF	450 Vc	6.2 A	34.5	32.8	30.6	28.2	25.5						
CMB 1.50 M	1.1 kW		31.5 µF	450 Vc	8.5 A					22.4	21.1	19.8	18	17.1	16	
CMB 2.00 M	1.5 kW		40 µF	450 Vc	10.8 A					28.7	27.7	26.3	24.5	22.8	21	
CMB 3.00 T	2.2 kW	400 V Three Phase	NA	NA	4.8 A					34.5	33.7	32.1	30.3	28.8	27	
CMB 4.00 T	3.0 kW		7.2 A				45	43.4	41.5	38.4	36.2	33.5				
CMB 5.50 T	4.0 kW		9.4 A				54	52.3	50.4	48.1	45.7	43				

Sectional Drawing

Model CMA/CMB

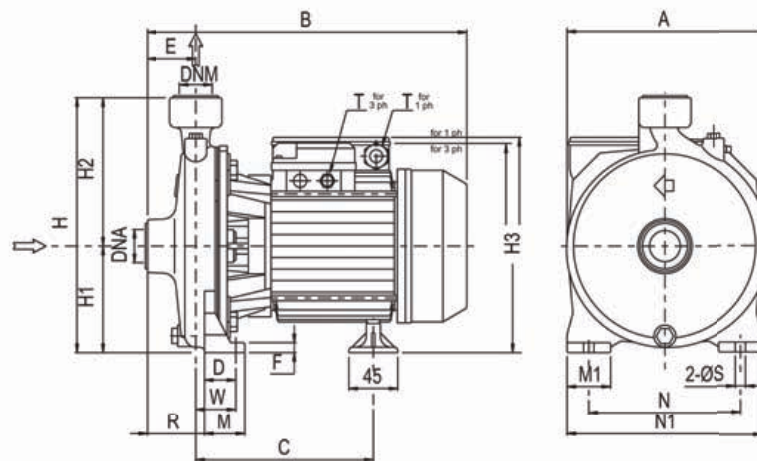


No.	Part name	Material			Qty	No.	Part name	Material			Qty	No.	Part name	Material			Qty
		CMA 1.00M	CMB 1.50M	CMB other				CMA 1.00M	CMB 1.50M	CMB other				CMA 1.00M	CMB 1.50M	CMB other	
1	Casing	Cast Iron			1	16	Terminal block	-			1	32	Key	AISI 304			1
3	Motor Bracket	Alum	Cast Iron		1	18	Splash ring	NBR			1	34	Impeller nut	AISI 304			1
4	Casing Cover	AISI 304			1	19	Pump side bearing	Sealed ball			1	42	Foot	PVC			1
6	Shaft with rotor	AISI 416	AISI 303		1	20	Fan side bearing	Sealed ball			1	52	Terminal box (for 1Ø)	Polypropylene			1
7	Impeller	Noryl	Cast Iron	Brass	1	21	Adjusting ring	Steel C70			1	52	Terminal box (for 3Ø)	Aluminium			1
11	Mechanical Seal	Car/Cer/NBR			1	22	Tie rod	Fe 42 Zincd			4	75	Washer	Aluminium			1
12	Motor frame & stator	-			1	23	Capacitor (1Ø models only)	-			1	76	Washer	Aluminium			1
13	Motor Cover	Aluminium			1	24	Priming plug	Brass			1	101	Seeger ring	AISI 420			1
14	Fan	Polypropylene			1	25	Drain plug	Brass			1	110	Protector (1Ø models only)	-			1
15	Fan Cover	Fe P04 Zincd			1	26	O-ring	NBR			1	200	Screw	S Steel			4

Dimensions

Model CMA/CMB

Units: mm unless otherwise specified



	A	B	C	D	E	F	H	H1	H2	H3	M	M1	N	N1	R	T	W	S	DNA	DNM	Weight
CMA 1.00 M	185	300.3	171.8	36.8	45	9	232	97	135	198	45	40	140	180	45	PG11	36.8	9.5	1"	1"	12.0 kg
CMB 1.50 M	188	349.3	206.3	36.8	49.5	9	251.5	101.5	150	233.5	45	40	140	180	65.5	PG11	52.8	9.5	2"	1 1/4"	20.5 kg
CMB 2.00 M	200	373.3	209.3	36.8	57.5	9	271.5	111.5	160	243.5	45	40	160	200	76.5	PG11	55.8	9.5	2"	1 1/4"	21.5 kg
CMB 3.00 T	200	373.3	209.3	36.8	57.5	9	271.5	111.5	160	225.5	45	40	160	200	76.5	PG11	55.8	9.5	2"	1 1/4"	21.5 kg
CMB 4.00 T	247	428.8	222.3	48	60	12	323.5	133.5	190	264.5	60	50	190	240	77.5	PG16	65.5	12	2"	1 1/4"	39 kg
CMB 5.50 T	247	428.8	222.3	48	60	12	323.5	133.5	190	264.5	60	50	190	240	77.5	PG16	65.5	12	2"	1 1/4"	41 kg

Specifications subject to change without notice



EBARA PUMPS AUSTRALIA PTY. LTD.

Data Sheet

CM 09-12m