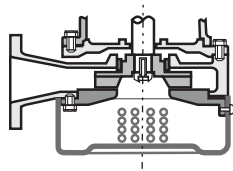




Open impeller design provides high heads and efficiencies. Suitable for many sump applications including:- draining wells, lift shafts and tanks, irrigation, drainage, water supply, general transfer of water.



Semi-Open

Impeller Type & Solids Handling



Model	Ø kW	50	80	100
Foreign matter Diameter (mm)	All	All	All	All
Length of Fibre (mm)		5	7	8

Specifications

- Submersible pump with semi open impeller and strainer
- Maximum solids handling: *refer to table*
- Maximum liquid temperature: 40 °C
- Maximum submergence: 8 m

Materials

- Pump casing: Cast Iron
- Impeller: Cast Iron
- Suction cover: Cast Iron
- Shaft: 403 Stainless Steel
- Motor frame: Cast Iron
- Fasteners: 304 Stainless Steel
- Mechanical seal: Double mechanical seal in oil chamber, Silicon Carbide lower faces, Carbon/Ceramic upper faces.

Motor Data

- Air filled, dry submersible, 2 pole, 50 Hz
- Insulation class F
- IP68 protection
- 3 Phase - 400 Volt
- In built overload protection

Range

- 50 to 100 mm Ø discharge
- 3.7 to 7.5 kW - 3 Phase (Manual only)

Supply

- Cable: 10 m
- Discharge elbow with screwed companion flange

Accessories

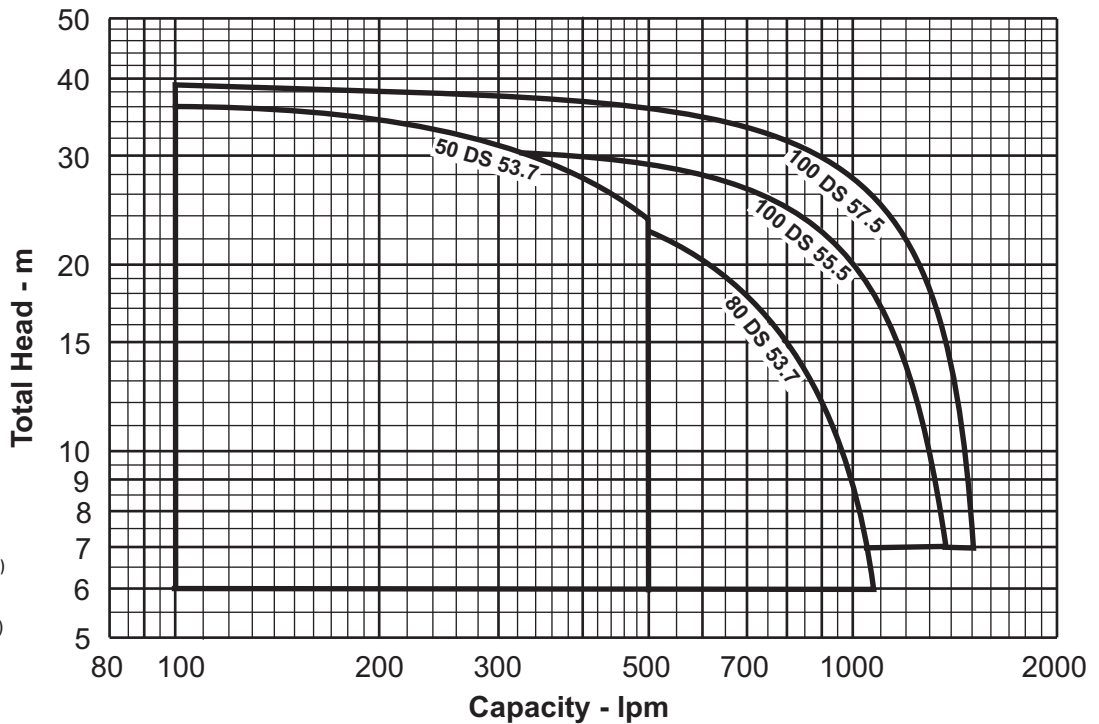
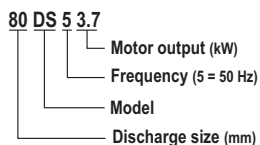
- Quick Discharge Connectors (QDC) available

Performance Curve

Synchronous Speed: **3000 rpm**

Applicable standard of test : **ISO 9906 Annex A**

Model Code



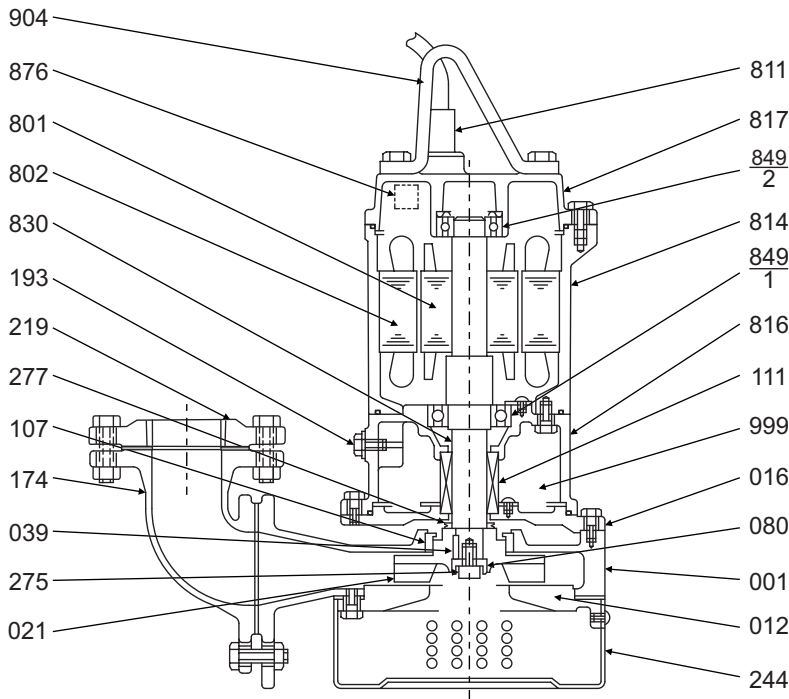
Performance Table

Pump Model	Motor Output	Discharge Ø mm	Full Load Current 3 PH, 400 V	Capacity - lpm											
				110	250	500	700	800	1000	1100	1350	1500			
50 DS 53.7	3.7 kW	50 mm	7.8 A	36.0	33.0	23.4	13.0								
80 DS 53.7	3.7 kW	80 mm	7.8 A		26.0	22.9	17.7	14.8	8.2						
100 DS 55.5	5.5 kW	100 mm	10.8 A			29.0	26.2	24.3	20.0	17.0	7.0				
100 DS 57.5	7.5 kW	100 mm	14.3 A			36.0	33.3	31.8	27.2	24.5	15.0	7.0			

Sectional Drawing

Model **DS**

Note: Typical sectional drawing only.



Mechanical Seal Lubricating Oil				
Motor - kW	2.2	3.7	5.5	7.5
Capacity - ml	1180		1700	

No.	Description	Material	Qty.
001	Casing	FC200 Cast Iron	1
012	Suction cover	FC200 Cast Iron	1
016	Mechanical seal cover	FC200 Cast Iron	1
021	Impeller	FCD400 Ductile Cast Iron	1
039	Impeller key	SUS420 Stainless Steel	1
080	Bushing	St Steel	1
107	Casing ring	SUS304 Stainless Steel	1
111	Mechanical seal	Silicon Carbide lower faces Carbon vs Ceramic upper faces	1
174	Discharge elbow	FC200 Cast Iron	1
193	Oil plug	SUS304 Stainless Steel	1
219	Companion flange	FC200 Cast Iron	1
244	Strainer	SPCC Steel	1
275	Impeller bolt	SUS304 Stainless Steel	1
277	Vee ring	NBR Rubber	1
801	Rotor	-	1
802	Stator	-	1
811	Cable	-	1
814	Motor frame	FC150 Cast Iron	1
816	Lower bracket	FC150 Cast Iron	1
817	Upper bracket	FC150 Cast Iron	1
830	Shaft #	SUS403 Stainless Steel	1
849-1	Ball bearing	-	1
849-2	Ball bearing	-	1
876	Auto cut	-	1
904	Lifting hanger	St Steel	1
999	Oil	Turbine Oil SAE 10W or 20W	*

refers to pump side of shaft material

* See table for oil capacity

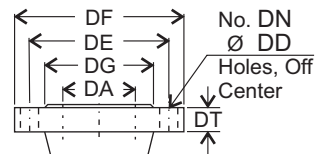
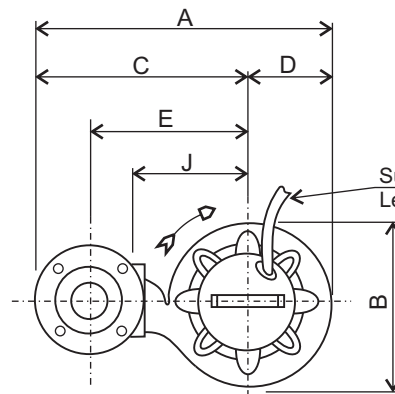
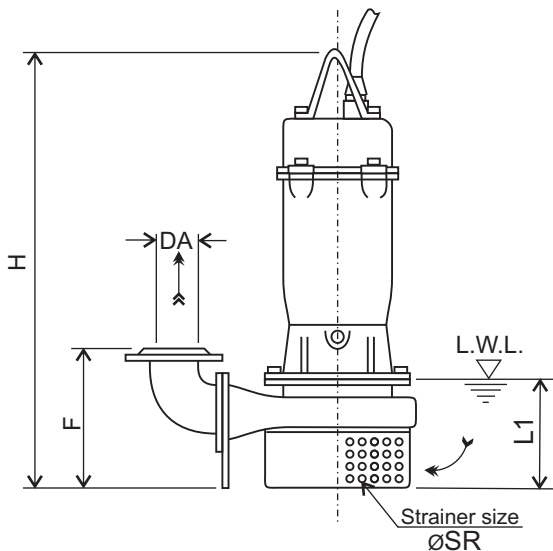
Dimensions

Model **DS**

Units: mm unless otherwise specified

Discharge Flange Dimensions
(JIS 10kgf/cm²)

DA	DE	DF	DG	DT	DN	DD
50	120	155	96	18	4	15
80	150	185	126	18	8	15
100	175	210	151	20	8	15



Submersible cable Length CL

- Note:
- L.W.L. (Low Water Level) is limited to 10 minutes operation at low water level.
 - Is limited to 30 minutes operation with water level below top of motor.

Size DA	Pump Model	Output kW	Dimensions											Weight kg	
			DA	A	B	C	D	E	F	H	J	L1	ØSR		CL
50	50 DS 53.7	3.7	50	433	245	313	120	235	198	619	180	160	10	10 m	61
80	80 DS 53.7	3.7	80	503	268	368	135	275	215	625	200	160	10	10 m	64
100	100 DS 55.5	5.5	100	615	309	460	155	355	257	730	250	200	13	10 m	92
	100 DS 57.5	7.5	100	615	309	460	155	355	257	730	250	200	13	10 m	104

Specifications subject to change without notice



EBARA PUMPS AUSTRALIA PTY. LTD.

Data Sheet

DS 13-03