



Model DF

Submersible Sewage Pumps

Submersible sewage pump with non-clog semi open impeller, with "cutting effect", to prevent clogging by fibrous matter. Suitable for Sewage, Waste Water, Storm Water Drainage, etc.



Specifications

- Submersible sewage pump with non-clog, semi-open impeller
- Maximum solids handling: 65Ø models - 40mm, 80Ø models - 46mm
- Maximum liquid temperature: 40°C
- Maximum submergence: 8m

Materials

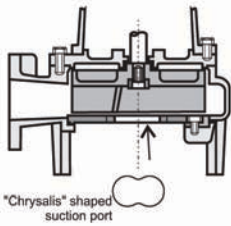
- Pump casing: Cast Iron
- Impeller: Cast Iron
- Suction cover: Cast Iron
- Shaft : 403 Stainless Steel
- Motor frame: Cast Iron
- Fasteners: 304 Stainless Steel
- Mechanical seal: Double mechanical seal in oil lubricated chamber, Silicon Carbide lower faces, Carbon/Ceramic upper faces.

Motor Data

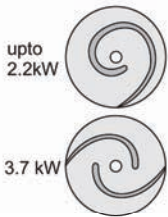
- Air filled, dry submersible, 4 pole motor
- Insulation class F
- Ipx8 protection
- 3 phase, 415 Volt, 50 Hz
- In built overload protection

Scope

- 10 m of cable
- Discharge elbow with companion flange,
- Optional Quick Discharge Connectors available



Impeller Type & Solids Handling



Semi-Open Non-clog

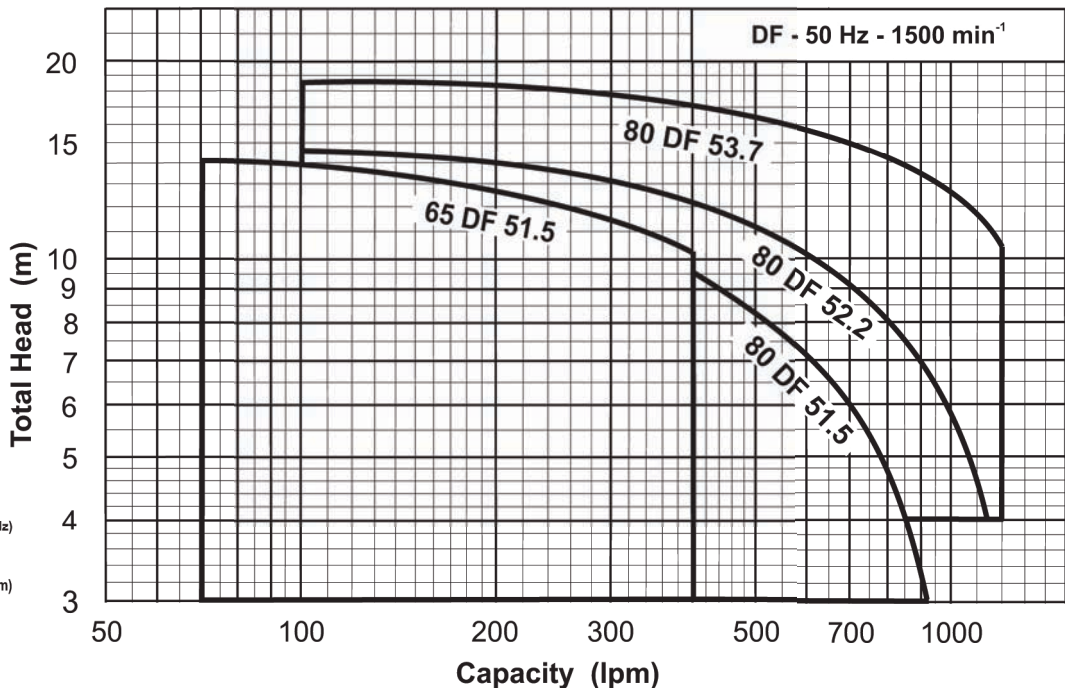
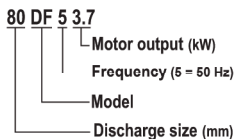
Model	Ø	65	80
	kW	All	All
Foreign matter Diameter (mm)		40	46
Length of Fibre (mm)		195	240

Performance Curve

Synchronous Speed: 1500 r.p.m.

Applicable standard of test : JIS B8301, B8302

Model Code

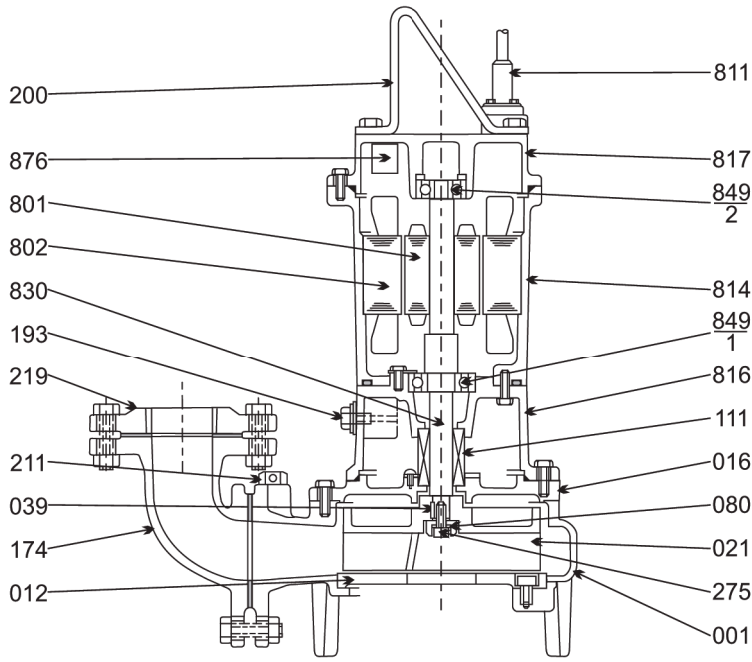


Performance Table

Pump Model	Motor Output	Discharge Ø mm	Power Supply	Full Load Current	Q= Capacity - litres/min									
					200	300	400	500	600	800	1000	1200		
65 DF 51.5	1.5 kW	65 mm	415 V, 3ph.	3.7 A	12.6	11.4	10.0	8.5						
80 DF 51.5	1.5 kW	80 mm	415 V, 3ph.	3.7 A			9.3	8.2	7.1	4.7				
80 DF 52.2	2.2 kW	80 mm	415 V, 3ph.	5.2 A			12.0	11.0	10.0	7.8	5.7			
80 DF 53.7	3.7 kW	80 mm	415 V, 3ph.	7.6 A			17.0	16.3	15.6	14.0	12.6	10.4		

Sectional Drawing

Model **DF**



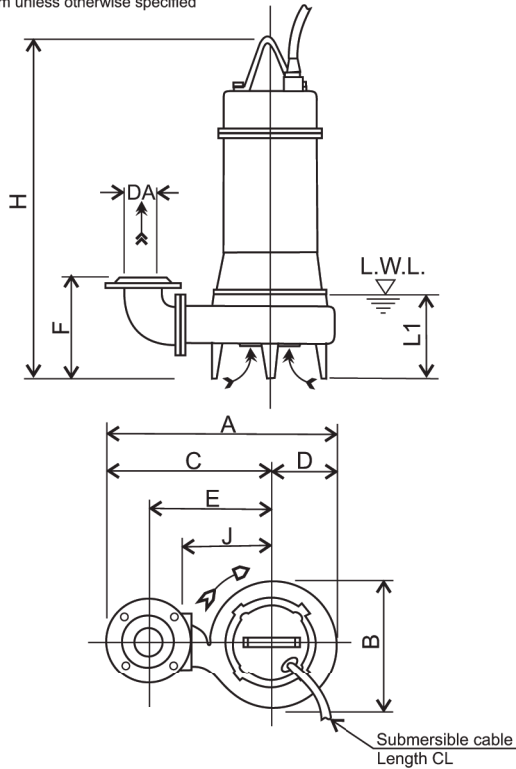
Item Number	Description	Material	Quantity per unit
001	Casing	FC200 Cast iron	1
012	Suction Cover	FC200 Cast iron	1
016	Mechanical Seal Cover	FC200 Cast iron	1
021	Impeller	FC200 Cast iron	1
039	Impeller Key	SUS Stainless Steel	1
080	Bushing	SS Steel	1
111	Mechanical Seal		1
174	Discharge Elbow	FC200 Cast Iron	1
193	Oil Plug	C3604 or SUS304 Brass or Stainless Steel	1
200	Lifting Hanger	SS Steel	1
211	Air Vent Valve	C3604 Brass	1
219	Companion Flange	FC200 Cast Iron	1
275	Impeller Bolt	SUS304 Stainless Steel	1
801	Rotor		1
802	Stator		1
811	Cable		1
814	Motor Frame	FC150 Cast iron	1
816	Lower Bracket	FC150 Cast iron	1
817	Upper Bracket	FC150 Cast iron	1
830	Shaft #	SUS403 Stainless Steel	1
849-1	Ball Bearing		1
849-2	Ball Bearing		1
876	Auto Cut		1

refers to pump side of shaft material

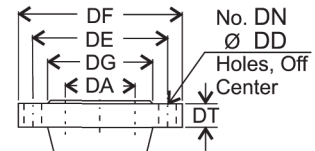
Dimensions

Model **DF**

Units: mm unless otherwise specified



Discharge Flange Dimensions (JIS 10kgf/cm²)



DA	DE	DF	DG	DT	DN	DD
65	150	175	116	18	4	15
80	150	185	126	18	4	15

Note:

1/. L.W.L. (Low Water Level) Is limited to 10 minutes operation at low water level.

2/. Is limited to 30 minutes operation with water level below top of motor.

Size DA	Model	Output KW	A	B	C	D	E	F	H	J	L1	CL	Weight
65	65 DF 51.5	1.5	497	291	353	144	265	200	576	200	140	10 m	52 kg
80	80 DF 51.5	1.5	524	292	378	146	285	220	597	210	165	10 m	55 kg
	80 DF 52.2	2.2	542	308	388	154	295	220	654	220	165	10 m	67 kg
	80 DF 53.7	3.7	567	328	403	164	310	220	687	235	165	10 m	75 kg

Specifications subject to change without notice



EBARA PUMPS AUSTRALIA PTY. LTD.

Data Sheet

DF 09-12m