



RIGHT

Submersible Stainless Steel Semi-Vortex Pumps



-SPECIFICATIONS	Page
Features & Applications	100
Typical Exploded View	101
Pump & Motor Specifications	102
Selection Chart	103
-PERFORMANCE CURVES	
Performance Curve – Right 75	200
Performance Curve – Right 100	201
-CONSTRUCTIONS	
Constructions – Sectional View	300
Constructions – Mechanical Seal	301
-DIMENSIONS	
Dimensions – Packing and Weight	400
-TECHNICAL DATA	
Technical Data and Installation	500



Submersible pump with semi vortex impeller, handling up to 35 mm solids. All stainless steel construction, with double mechanical seal in oil bath.

Specifications

- Submersible pump with semi vortex impeller
- Maximum solids handling 35 mm
- Maximum liquid temperature: 50°C
- Maximum submergence: 10m

Materials

- Pump casing: 304 Stainless Steel
- Impeller: 304 Stainless Steel
- Suction cover: 304 Stainless Steel
- Shaft : 303 Stainless Steel
- Motor frame: 304 Stainless Steel
- Fasteners: 304 Stainless Steel
- Mechanical seal: Double mechanical seal in oil lubricated chamber, Silicon Carbide lower faces, Carbon/Ceramic upper faces.

Motor Data

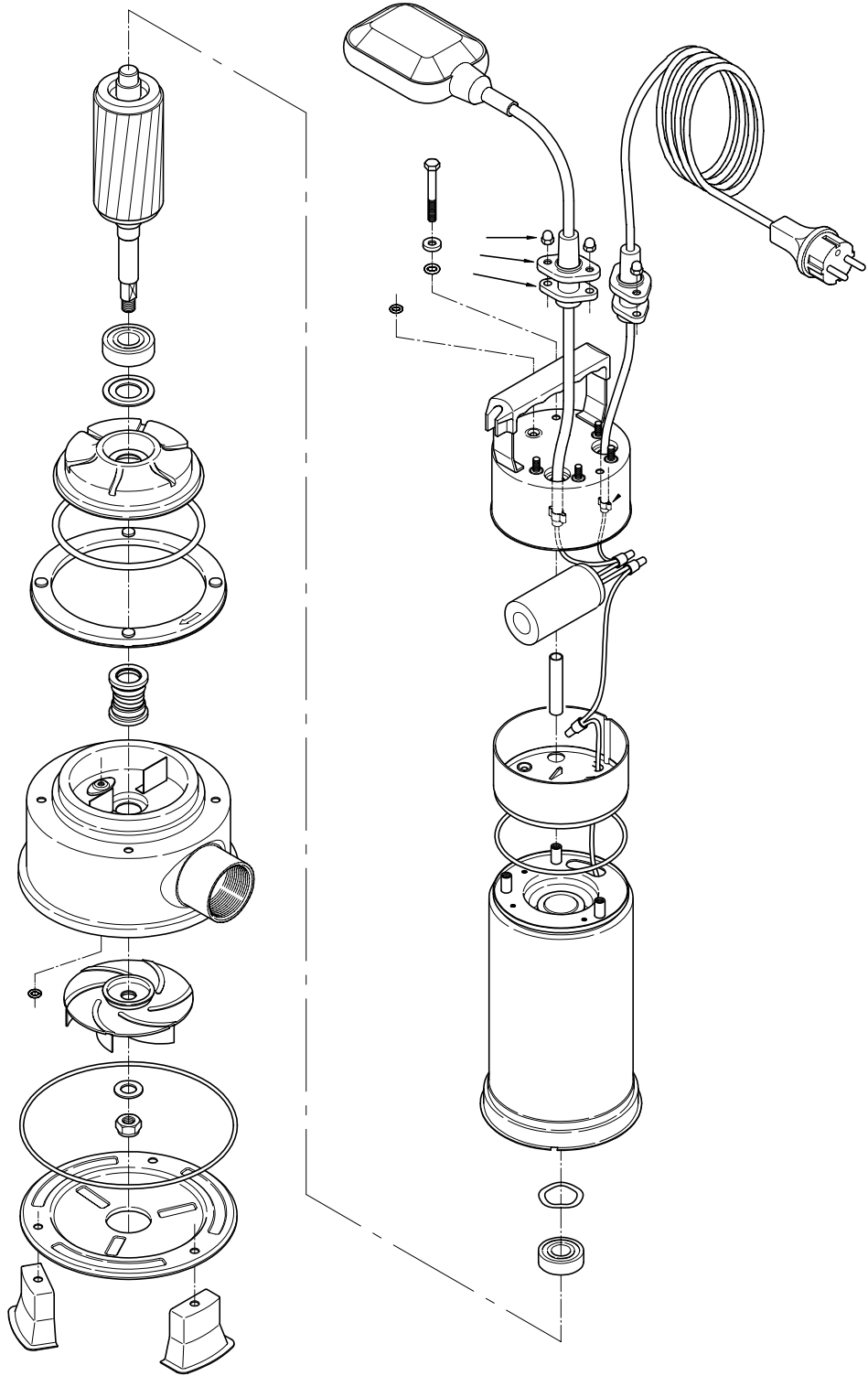
- Air filled, dry submersible, 2 pole motor
- Insulation class F
- IPY8 protection
- 50 Hz, 3 phase - 415 Volt, 1 phase - 240 Volt
- In built overload protection for 1 phase

Cable

- 10 m of cable (without plug)

Range

- 40 mm discharge
- 0.55 & 0.75 kW motors
- Single phase, automatic or manual versions
- Three phase, manual version only



SPECIFICATION

50Hz

V11

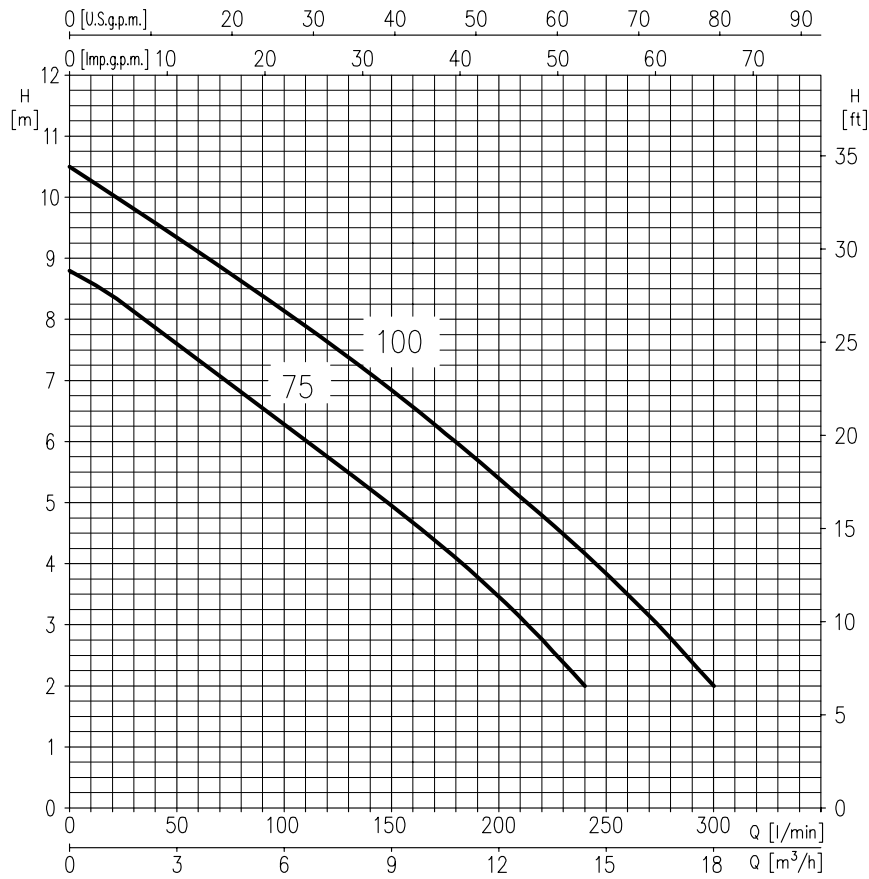
PUMP		
Liquid Handled	Type of liquid	Clean and dirty water
	Max [°C]	50°
	Max solids size [mm]	35 spherical
Maximum immersion	[m]	10
Construction	Impeller	Open vortex type
	Shaft seal type	Double mechanical seal
	Bearing	Sealed ball bearing
Pipe Connection	Suction-Flange [mm]	35 open
	Discharge- [inch]	G1½ UNI ISO 228
Material	Casing	AISI 304
	Impeller	AISI 304
	Casing cover	AISI 304
	Shaft seal	Pump side: SiC/SiC/NBR
		Motor side: Carbon/Ceramic/NBR
	Seal cover	AISI 304
	Shaft	AISI 303 (Wet extension)
Lubricating liquid	White mineral oil: Esso Marcol 152 (180 cc)	
Applicable standard of test	ISO 9906 Annex A	

MOTOR			
Type	Submersible dry type		
	Single Phase	Three Phase	
No. of Poles	2		
Rotation speed [min ⁻¹]	2875		
Insulation Class	F		
Protection degree	IP X8		
kW/HP Rating	[kW]	0.55 ÷ 0.75	
	[HP]	0.75 ÷ 1	
Frequency [Hz]	50		
Voltage [V]	230 ± 10%	400 ± 10%	
Capacitor	Built in	-	
Over load protection	Built in	User to provide	
Float Switch	Optional	N/A	
Float Switch Cable	Material	H07RN-F	
	Size	3G1	
Power cable	length [m]	10 m	
	material	H07RN-F	H07RN-F
	size	3G1	4G1
Dimensions of cable entry	Cable Gland		

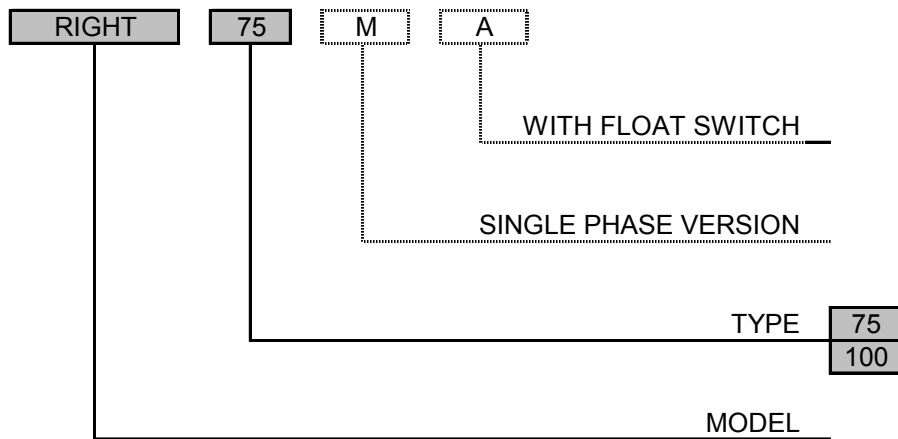
SELECTION CHART

50Hz

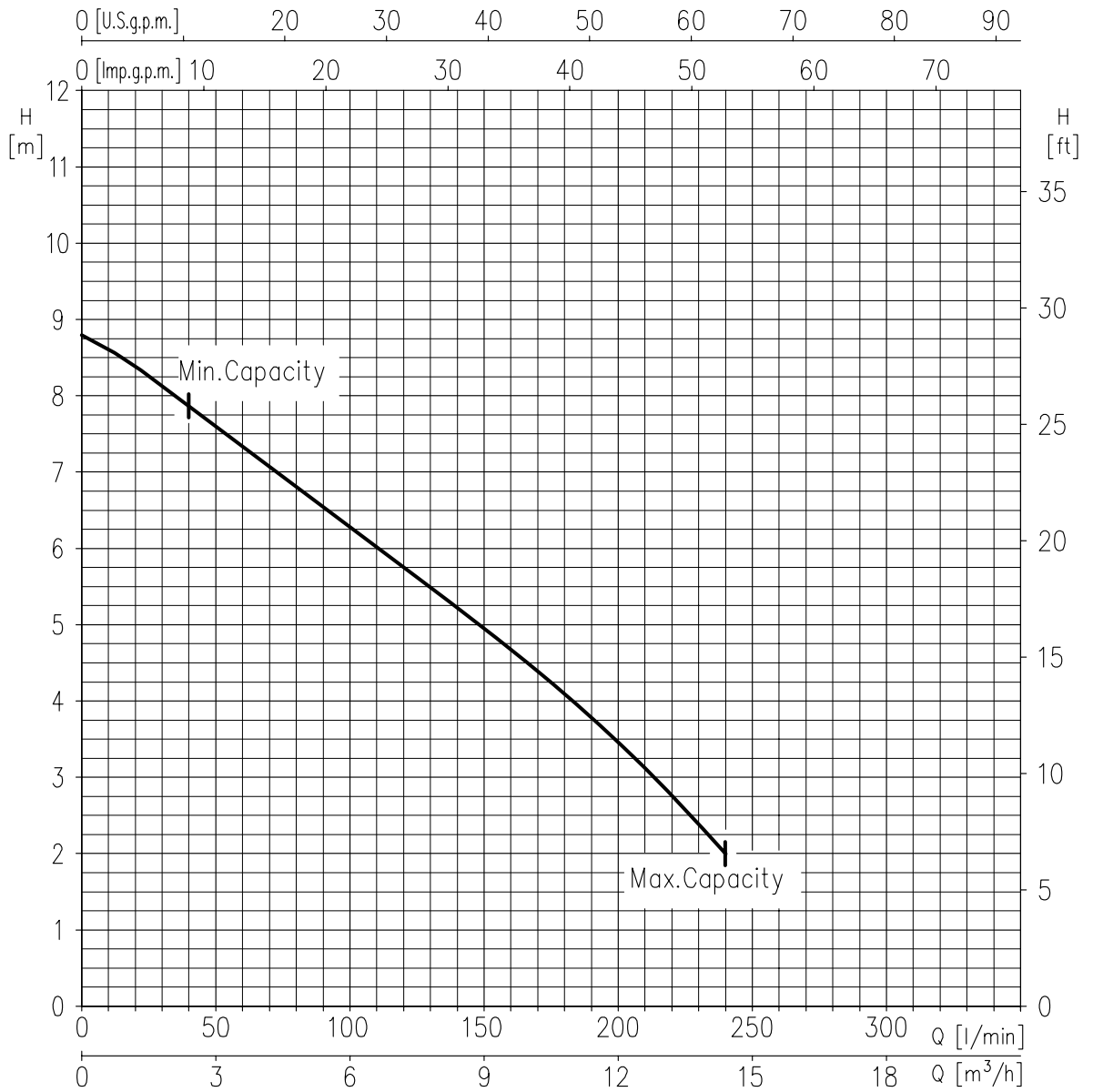
V11



Type pumps		kW	HP	Q=Capacity								
Single Phase 230 V 50 Hz	Three Phase 230/400 V 50 Hz			l/min	0	40	80	120	160	200	240	300
				m³/h	0	2.4	4.8	7.2	9.6	12	14.4	18
				H=Total manometric head in meters								
RIGHT 75 M	RIGHT 75	0.55	0.75	8.8	7.8	6.8	5.7	4.7	3.4	2	-	
RIGHT 100M	RIGHT 100	0.75	1	10.5	9.5	8.6	7.6	6.6	5.4	4.2	2	

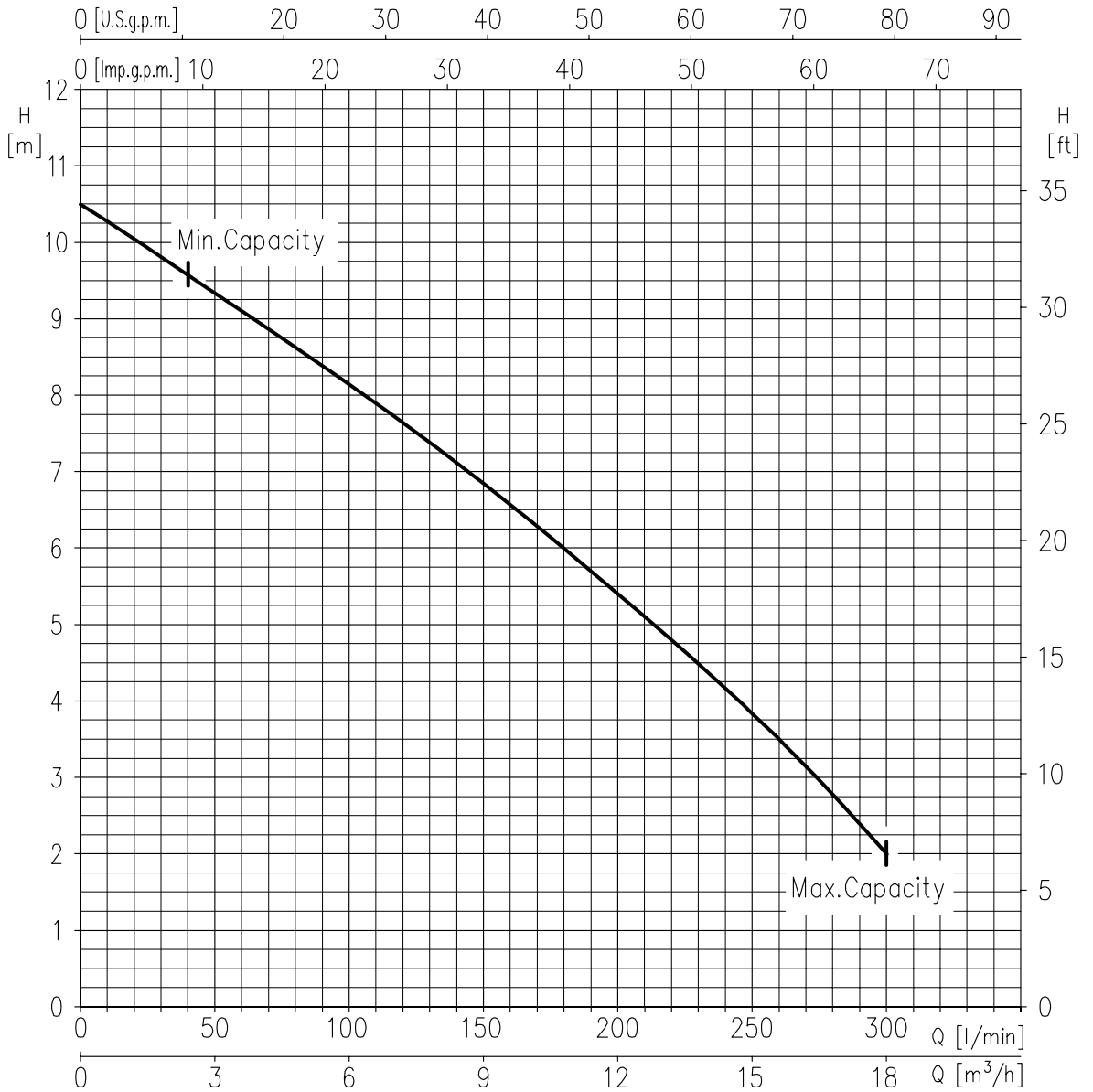


RIGHT 75 (0.55 kW)

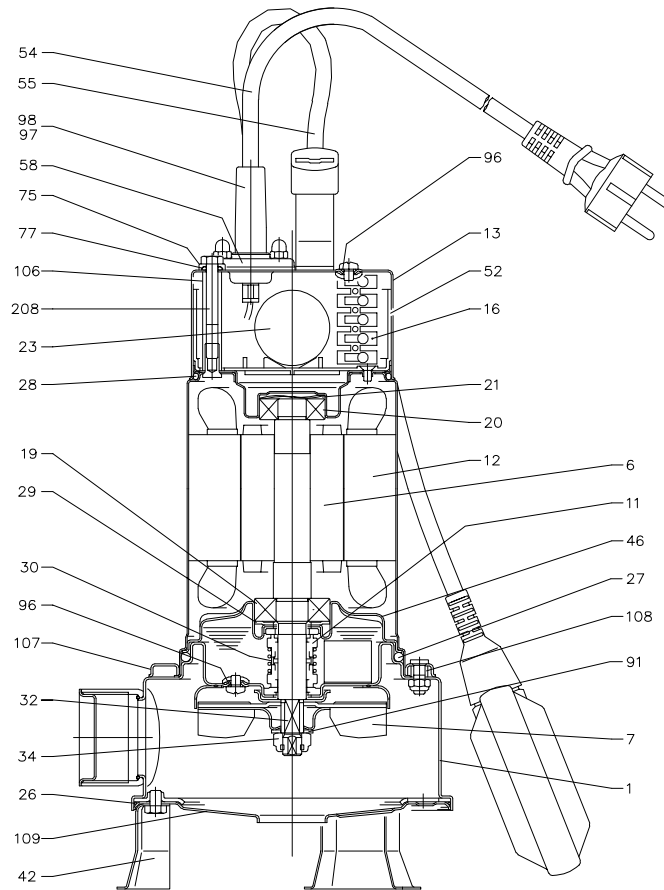


Impeller = Ø100 mm
Test standard: ISO 9906 – Annex A

RIGHT 100 (0.75 kW)



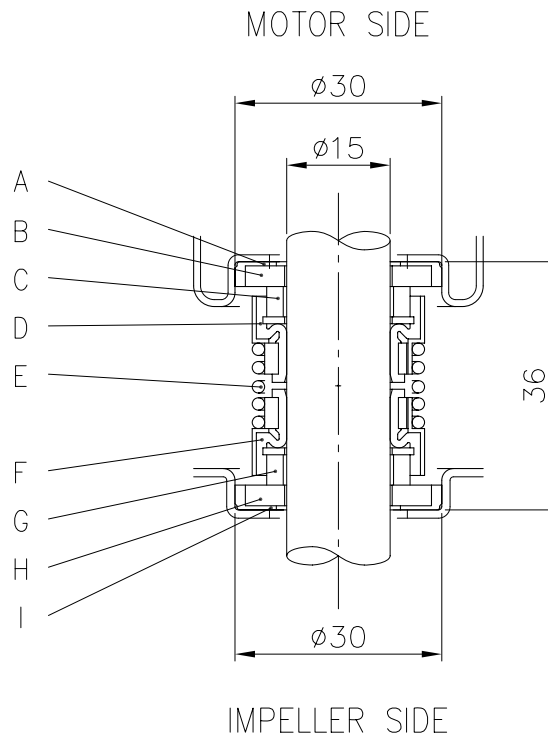
Impeller = Ø100 mm
Test standard: ISO 9906 – Annex A



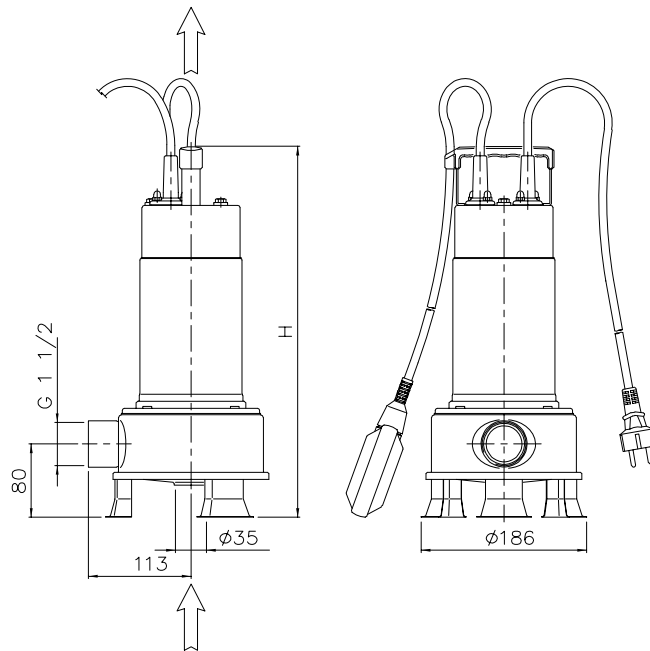
N°	PART NAME	MATERIAL	Q.TY	N°	PART NAME	MATERIAL	Q.TY
1	Casing	AISI 304	1	42	Foot	AISI 304	3
6	Shaft with rotor	AISI 303	1	46	Lower bearing bracket	AISI 304	1
7	Impeller	AISI 304	1	52	Capacitor box	PA66 glass fibre reinforced	1
11	Mechanical seal	Ceramic/Carbon/NBR	1	54	Submersible power cable	-	1
12	Motor frame with stator	-	1	55	Float switch [1]	-	1
13	Cover	AISI 304	1	58	Cable gland	AISI 304	1
16	Terminal	-	1	75	Washer	AISI 303	1
19	Lower ball bearing	-	1	77	"O" Ring	NBR	1
20	Upper ball bearing	-	1	91	Washer	AISI 304	1
21	Adjusting washer	AISI 304	1	96	"O" Ring	NBR	1
23	Capacitor [2]	-	1	97	Cable connector	NBR	1
26	"O" Ring	NBR	1	98	Cable connector [1]	NBR	1
27	"O" Ring	NBR	1	106	Spacer	AISI 304	1
28	"O" Ring	NBR	1	107	Stopper ring	AISI 304	1
29	Washer	AISI 304	1	108	Gasket	NBR	1
30	Mechanical seal spacer	Brass	1	109	Suction cover	AISI 304	1
32	Key	AISI 304	1	208	Screw	AISI 304	1
34	Nut	AISI 303	1	-	-	-	-

[1] Only for single phase version with float switch

[2] Only for single phase version

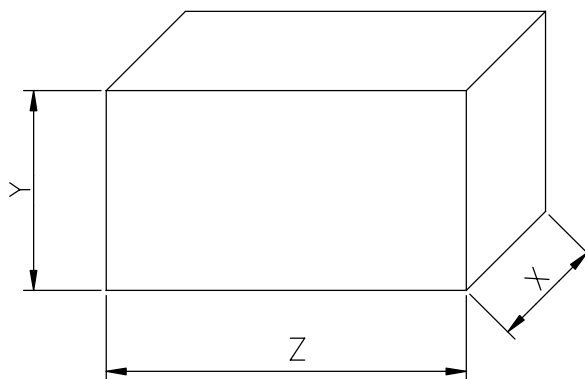


REF	PART NAME	MATERIAL
A	Rubber cup	NBR
B	Seat	Ceramic
C	Seal face	Carbon
D	Bellow	NBR
E	Spring	AISI 304
F	Bellow	NBR
G	Seal face	Silicon carbide
H	Seat	Silicon carbide
I	Rubber cup	NBR



Type pumps		Dimension [mm]	Weight [kg]	
Single Phase	Three Phase		Single Phase	Three Phase
RIGHT 75 M	RIGHT 75	H	10	10
RIGHT 100 M	RIGHT 100		11.5	11.5

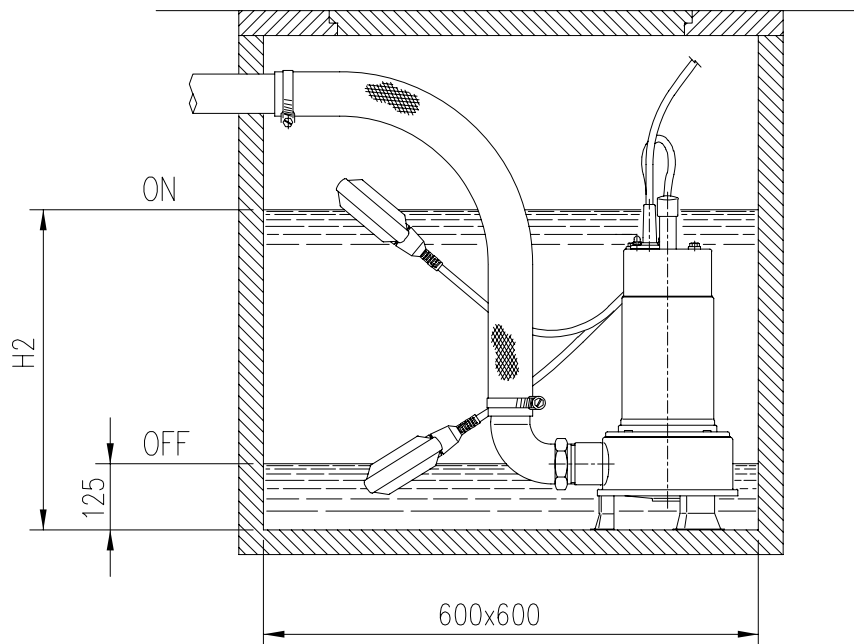
PACKING



Type pumps		PACKING [mm]			Weight [kg]	
Single Phase	Three Phase	Z	X	Y	Single Phase	Three Phase
RIGHT 75 M	RIGHT 75	450	195	245	10.7	10.7
RIGHT 100 M	RIGHT 100	450	195	245	12.2	12.2

Type pumps		kW	HP	Capacitor		Input [kW]		Full load current [A]		Locked rotor current	
Single Phase 230 V 50 Hz	Three Phase 400 V 50 Hz			Single Phase μF	Vc	Single Phase	Three Phase	Single Phase	Three Phase	Single Phase 230 V 50 Hz	Three Phase 400 V 50 Hz
RIGHT 75 M	RIGHT 75	0.55	0.75	20	450	1.0	0.95	4.8	2.1	19.5	12
RIGHT 100 M	RIGHT 100	0.75	1	31.5	450	1.20	1.2	5.7	2.6	24.5	16

Type pumps		Ball Bearing	
Single Phase	Three Phase	Pump side	Fan side
RIGHT 75 M	RIGHT 75	6203 ZZ	6202 ZZ
RIGHT 100 M	RIGHT 100	6203 ZZ	6202 ZZ



Pump type	Dimensions mm
	H2
RIGHT 75	410
RIGHT 100	430