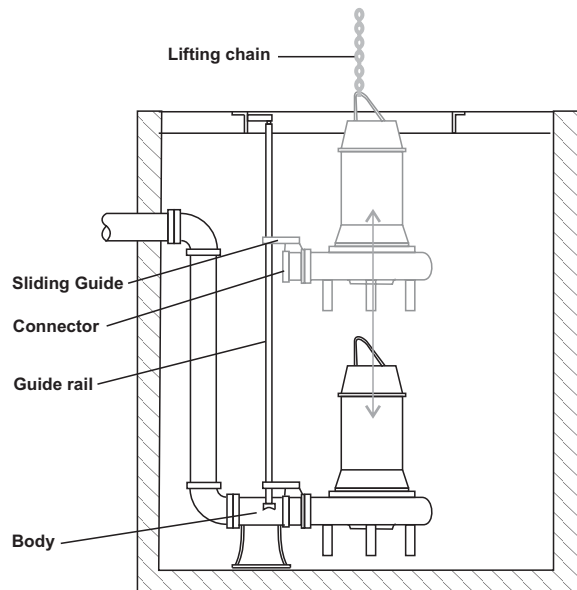



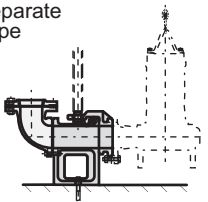
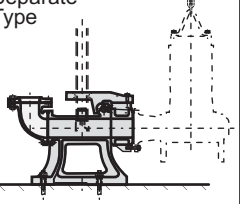
Typical Arrangement
(LL type shown)

Optional quick discharge connectors (QDC) are available to suit all of the Ebara D' series submersible pumps.

The QDC allows for the easy removal and replacement of the pumps for maintenance purposes without having to enter the sump.



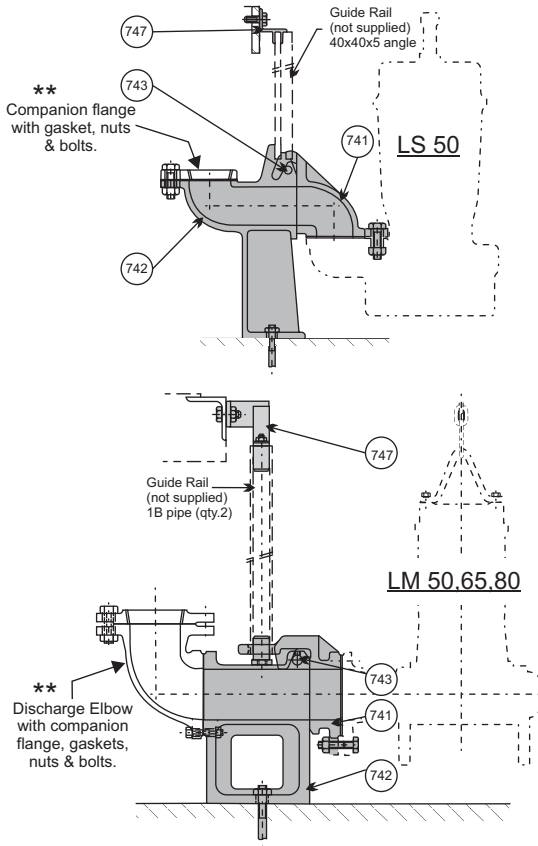
Note: Guide rail(s) & lifting chain are not part of supply.

LS Combined Type 	QDC Model	Size				Applicable Model					
		Discharge Flange Ø	Discharge Elbow Ø	QDC Body Ø	Volute Flange Ø	DVS	DML	DMLV	DS	DF	
LM Separate Type 	LS50	50		50	50	50 DVS 0.4-1.5 kW					
	LM50	50	50 X 50	50	50				50 DS 3.7 kW		
		LM65	65	65 X 65	65	65					65 DF 1.5 kW
LM80	80		65 X 80	65	65	80 DVS 0.75-3.7 kW					
	LL Separate Type 	LM80	80	80 X 80	80	80		80 DML 2.2-3.7 kW	80 DMLV 2.2-3.7 kW	80 DS 3.7 kW	80DF 1.5-3.7 kW
LL100			80	100 X 80	100	100		80 DML 5.5 - 22 kW			
		LL100	100	100 X 100	100	100		100 DML 5.5 - 22 kW	100 DMLV 5.5 - 22 kW	100 DS 5.5-7.5 kW	
			LL100	150	100 X 150	100	100		150 DML 5.5 - 22 kW		

Note: The discharge elbow & companion flange are not supplied with the QDC. These items are standard accessories supplied with the pump.

Sectional Drawing

Model **QDC's**



Item Number	Description	Material	Quantity per unit	
741	Sliding Guide	FC200 Cast Iron	1	Nuts, bolts & gasket to connect to pump included.
741a 741b	Sliding Guide (2 piece)	FCD400 Cast Iron FC200 Cast Iron	1 1	
742	QDC Body	FC200 Cast Iron	1	
743	Suspension Bar	SUS Stainless Steel	1	
747	Guide Support	St Steel	1	Includes guide pins ¹ and relevant nuts & bolts. (# not for LS)

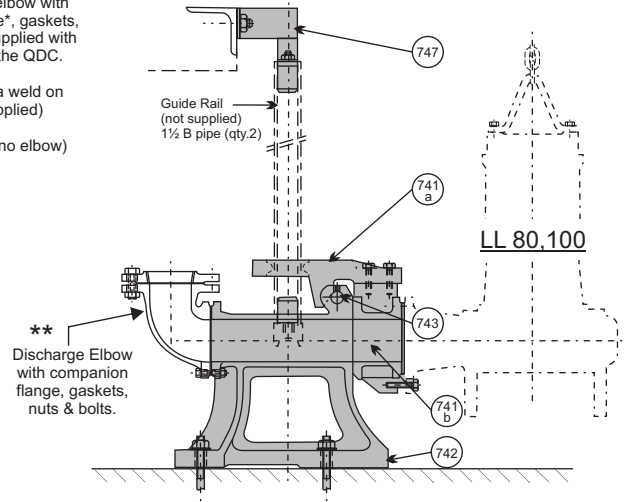
Note: All nut & bolts are SUS Stainless steel.

**

The discharge elbow with companion flange*, gaskets, nuts & bolts is supplied with the pump, not the QDC.

(* for 150 mm a weld on flange is supplied)

(In case of LS, no elbow)

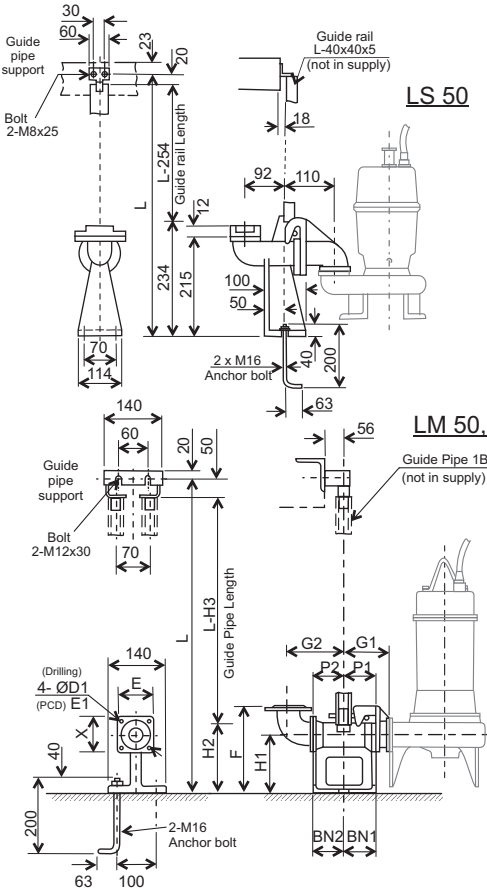


Dimensions

Model **QDC's**

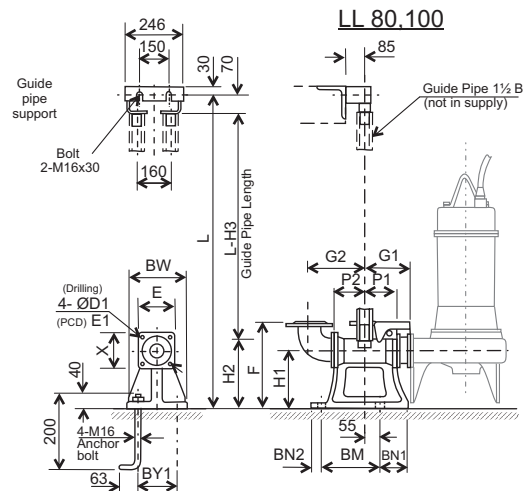
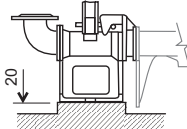
Units: mm unless otherwise specified

For dimensions with individual pump models, refer to the technical data.



QDC	P1	P2	G1	G2	F	H1	H2	H3	BN1	BN2	BM	BY1	BW	D1	E1	E	X	Weight (of QDC only)
LM 50	75	80	115	135	230	135	165	215	75	80				12	120	110	110	11 kg
LM 65	75	95	120	170	255	145	190	240	75	90				15	140	130	130	14 kg
LM 80	75	90	125	165	285	175	230	280	75	90				15	155	140	140	17 kg
LL 80	105	120	185	225	365	240	255	325	100	40	220	180	230	15	155	140	140	44 kg
LL 100	105	105	185	210	365	240	265	335	100	40	220	180	230	19	175	160	160	46 kg

For 80 DML with LM80, body has to be raised 20 mm from floor



Specifications subject to change without notice